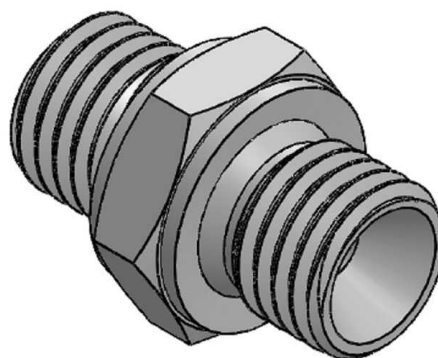
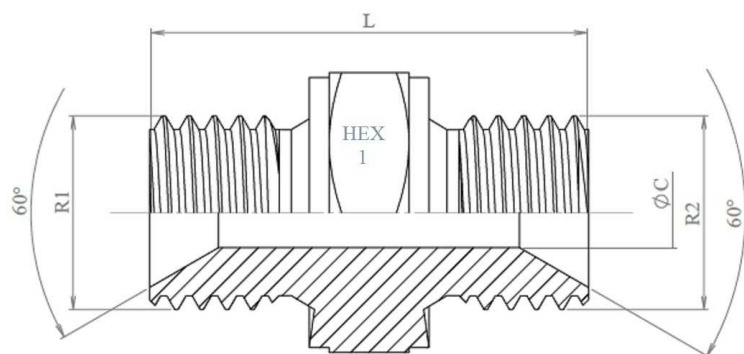


Adaptadores BSP

Uniones rectas macho

Adaptador macho - macho BSP cono 60º

Acero Inoxidable AISI 316-L



Artículo	R1	R2	L	HEX 1	ØC
Z101002	1/8" BSP	1/8" BSP	22	14	3,5
Z101004	1/4" BSP	1/4" BSP	31	17	6
Z101004H19	1/4" BSP	1/4" BSP	31	19	6
Z101006	3/8" BSP	3/8" BSP	35	22	8
Z101008	1/2" BSP	1/2" BSP	42,5	27	11
Z101010	5/8" BSP	5/8" BSP	45	30	14
Z101012	3/4" BSP	3/4" BSP	45	32	16
Z101016	1" BSP	1" BSP	53	41	22
Z101020	1"1/4" BSP	1"1/4" BSP	56	50	28,5
Z101024	1"1/2" BSP	1"1/2" BSP	61	55	33
Z101032	2" BSP	2" BSP	71	65	46
Z101032H70	2" BSP	2" BSP	71	70	46
Z101040	2"1/2" BSP	2"1/2" BSP	72	85	55
Z101048	3" BSP	3" BSP	90	100	64